

ELFiT®

Electrical FITtings

Electrical connectors



FastEx electrical connectors allow to connect an equipment to the electric circuit or to others equipment safely and quickly. Available in two versions, 3 and 5 poles, their strength and extreme ease of use allow to activate the circuits quickly, fail-proof and to protect environments from risk of explosions and accidental disconnections. Their speed of implementation favours at the same time significant savings on overall installation and maintenance costs of systems. Ideal for use in indoor or outdoor environments, in chemical and petrochemical plants, of refining and other industrial processes where exists a potentially explosive atmosphere due to the presence of flammable gas, vapour or dust.



Classification: 2014/34/UE	Group II	Category 2GD
Installation: EN 60079.14	zone 1 - zone 2 (Gas)	zone 21 - zone 22 (Dust)
Marking:	CE 0722 Ex II 2 GD Ex eb IIC T.. Gb - Ex tb IIIC T..°C Db CE Ex II 3 GD Ex ec IIC T.. Gc - Ex tc IIIC T..°C Dc	
Certification:	ATEX	CML 22 ATEX 3673 X
	ATEX	CML 23 ATEX 3175 X
	IECEx	IECEx CML 22.0107X
	UKEX	AVAILABLE
Standards:	CENELEC EN 60079-0: 2018, EN 60079-7: 2015+A1:2018, EN 60079-31: 2014 and EUROPEAN DIRECTIVE 2014/34/EU IEC60079-0: 2017, IEC60079-7: 2017, IEC60079-31: 2013 Direttiva RoHS 2002/95/CE	
Ambient temperature:	-60°C +46°C (T6) -60°C +60°C (T5)	
Protection rating:	IP66	

Per tutti i dati di certificazione IEC Ex, UKEX scaricare il certificato dal sito www.elfit.com

I certificati sono consultabili sul sito www.elfit.com

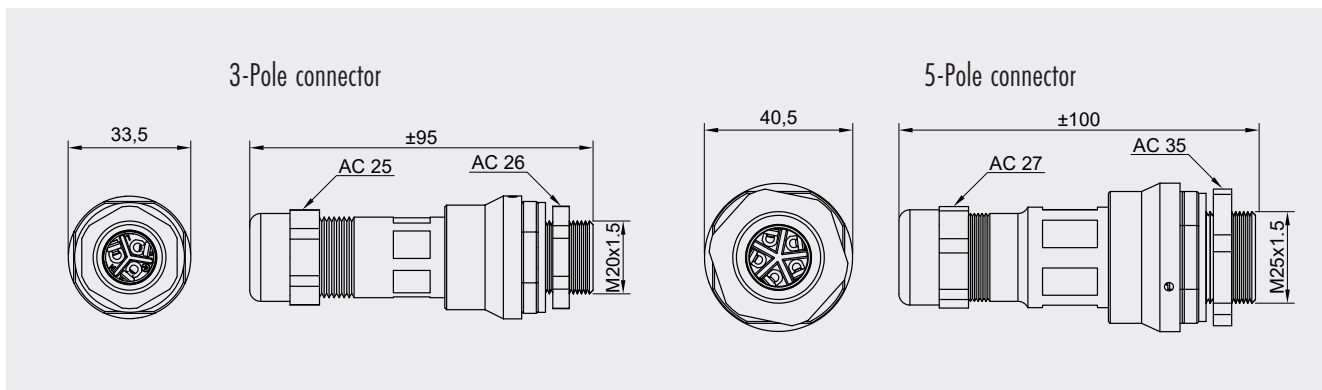
MECHANICAL FEATURES

- Body:**
1. Aluminum alloy with low copper content with anodizing surface treatment
 2. nickel-plated brass
 3. AISI 316L stainless steel.
- Contact holder:** Polyamide.
- Contacts:** Brass.
- Gasket:** Silicone resistant to acids and hydrocarbons.

ELECTRICAL FEATURES

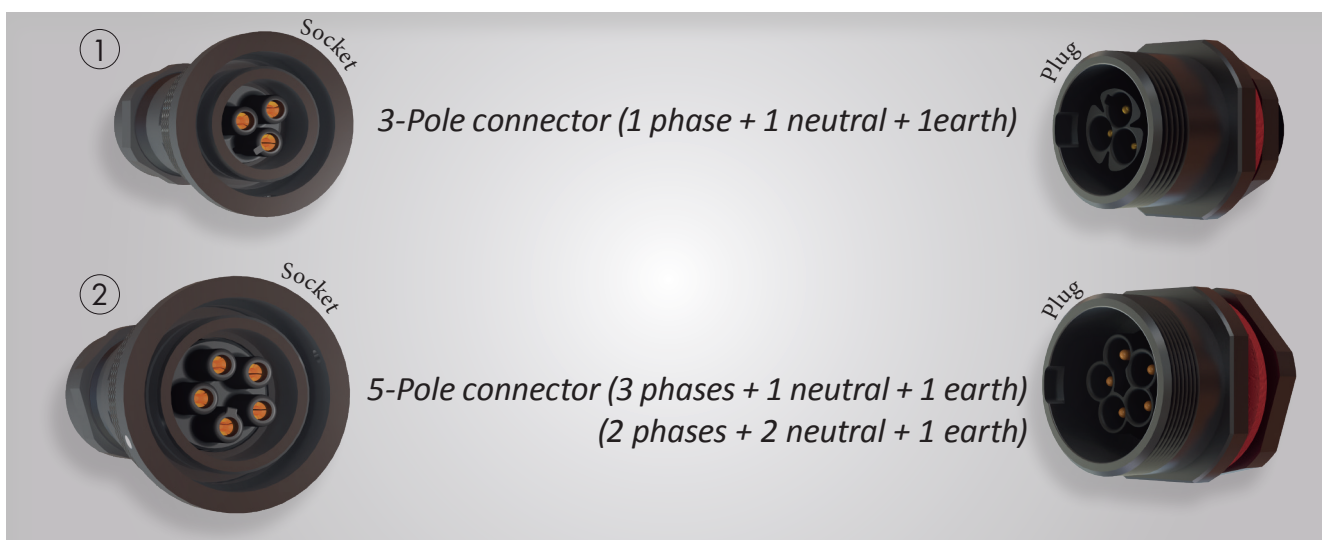
Cross section (mmq)	Max. rated current (A)	Max. voltage (Vac/dc)
0,75	10	277
1	12	277
1.5	15	277

Rated frequency: 0-50/60 Hz

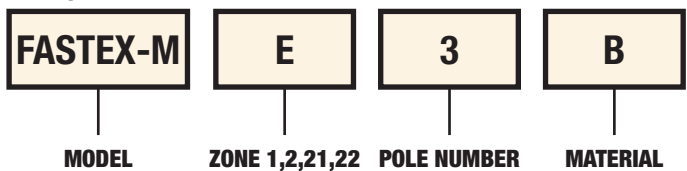


CONNECTOR SELECTION TABLE

Code Aluminium	Code Nickel plated brass	Code Stainless steel	Thread	Zone	Range	Pole	Weight
					min-max Outer sheath of the cable		Kg (alluminium)
FASTEX-ME3A	FASTEX-ME3B	FASTEX-ME3SS	M20x1.5	1,2,21,22	3.5 - 8.6	3	0,087
FASTEX-ME5A	FASTEX-ME5B	FASTEX-ME5SS	M25x1.5	1,2,21,22	6.3 - 11.6	5	0,125
FASTEX-MN3A	FASTEX-MN3B	FASTEX-MN3SS	M20x1.5	2,21,22	3.5 - 8.6	3	0,087
FASTEX-MN5A	FASTEX-MN5B	FASTEX-MN5SS	M25x1.5	2,21,22	6.3 - 11.6	5	0,125



Sample order code



Installation example 2

